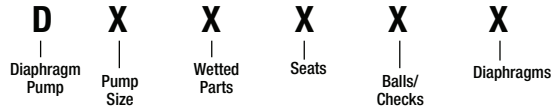


Husky 3275 Aluminum Pumps Air-Operated Double Diaphragm

Ordering Information

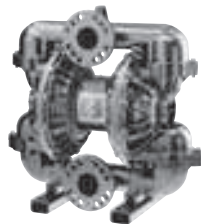


PUMP SIZE (AIR MOTOR TYPE AND MATERIAL)	WETTED PARTS	SEATS	BALLS	DIAPHRAGM
K = 3" (76.2 mm) Standard: aluminum center section	3 = Aluminum (npt)	3 = Stainless Steel 5 = TPE 6 = Santoprene G = Geolast	1 = PTFE 2 = Acetal 6 = Santoprene G = Geolast	1 = PTFE 5 = TPE 6 = Santoprene G = Geolast P = Bolt through PTFE

Popular Models

Material	Part Number (NPT Ported)		Materials for Seats	Materials for Balls	Materials for Diaphragms	Fluid Kit	Air Kit	Air Control*
	Standard Air Valve	Remote Air Valve						
Aluminum	DK3311	NA	Stainless Steel	PTFE	PTFE	DOK311	238765	246948
	DK3316	NA	Stainless Steel	PTFE	Santoprene	DOK316	238765	246948
	DK3366	NA	Stainless Steel	Santoprene	Santoprene	DOK366	238765	246948
	DK3515	NA	TPE	PTFE	TPE	DOK515	238765	246948
	DK3525	NA	TPE	Acetal	TPE	DOK525	238765	246948
	DK3565	NA	TPE	Santoprene	TPE	DOK565	238765	246948
	DK3611	NA	Santoprene	PTFE	PTFE	DOK611	238765	246948
	DK3616	NA	Santoprene	PTFE	Santoprene	DOK616	238765	246948
	DK3666	NA	Santoprene	Santoprene	Santoprene	DOK666	238765	246948
	DK3GG6	NA	Geolast	Geolast	Santoprene	DOKGG6	238765	246948
	DK3GGG	NA	Geolast	Geolast	Geolast	DOKGGG	238765	246948

* Air control includes air regulator and filter with gauge



Technical Specifications

Husky 3275 Aluminum Pumps	Aluminum
Maximum fluid working pressure	120 psi (8.4 bar, 0.84 MPa)
Maximum free flow delivery*	275 gpm (1,041 lpm)
Maximum pump speed	135 cpm
Displacement per cycle**	2.0 gallon (7.6 liter)
Maximum suction lift (DF3666)	8 ft (2.4 m) dry
Maximum size pumpable solids	0.38 in (9.4 mm)
Maximum diaphragm operating temperature***	
PTFE	220°F (104.4°C)
Santoprene	180°F (82.2°C)
TPE	150°F (65.5°C)
Fluoroelastomer	250°F (121.1°C)
Geolast	150°F (65.5°C)
Typical sound level at 70 psi (4.9 bar, 0.49 MPa) air @ 125 cpm	79 dBA
Maximum air consumption	325 scfm (9.1 m3/min)
Air consumption at 70 psi (4.7 bar, 0.47 MPa)/100 gpm (379 lpm)	120 scfm (1.26 m3/min)

Husky 3275 Aluminum Pumps	Aluminum
Air pressure operating range	20 to 120 psi (1.4 to 8.4 bar, 0.14 to 0.84 MPa)
Air inlet size	3/4 npt(f)
Fluid inlet & outlet size****	3 in (76.2 mm) ANSI 4 bolt flange/ DIN 8-bolt flange internal thread is 3 npt or bspt
Weight	150 lb (68 kg)
Instruction manual	308639

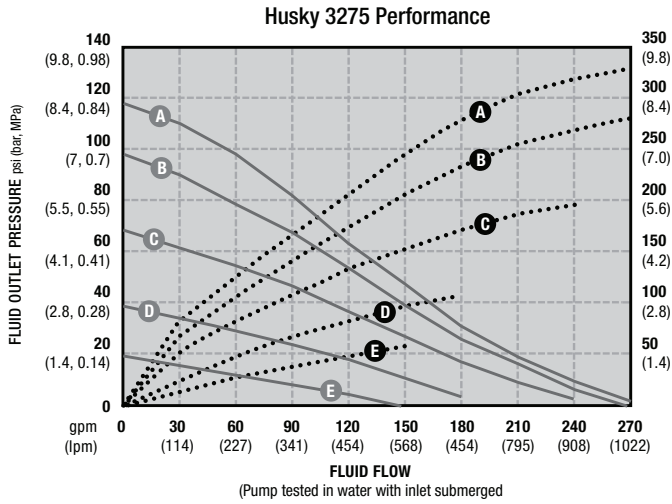
* Flow rates are with muffler and do not vary based on diaphragm material

** Displacement per cycle may vary based on suction condition, discharge head, air pressure and fluid type

*** Actual pump performance may be affected by prolonged usage at temperature

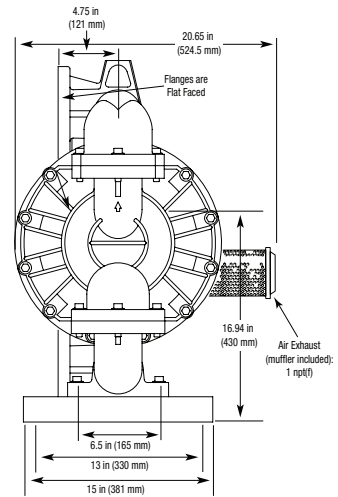
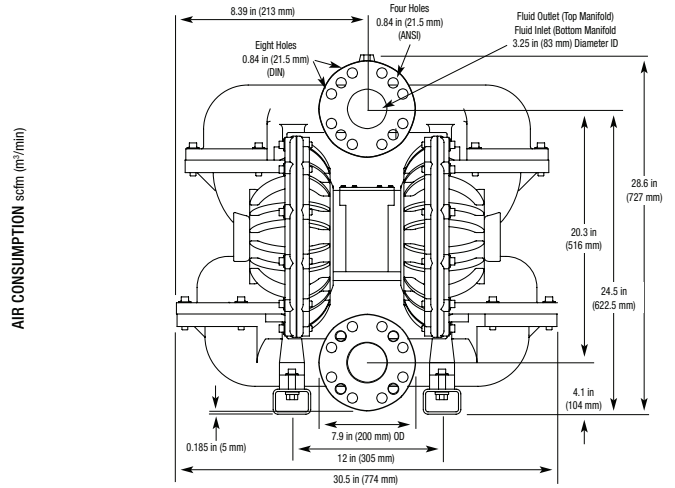
Husky 3275 Aluminum Pumps

Performance Charts



AIR PRESSURE	LEGEND
A = at 120 psi (8.4 bar, 0.84 MPa)	Air Consumption.....
B = at 100 psi (7 bar, 0.7 MPa)	Fluid Flow ———
C = at 70 psi (4.8 bar, 0.48 MPa)	
D = at 40 psi (2.8 bar, 0.28 MPa)	
E = at 20 psi (1.4 bar, 0.14 MPa)	

Dimensions



Typical System Drawings

Husky 3275 Above Ground Gravity Feed

