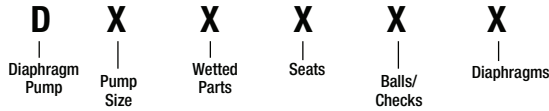


Husky 2150 Plastic Pumps

Air-Operated Double Diaphragm

Ordering Information



PUMP SIZE (AIR MOTOR TYPE AND MATERIAL)	WETTED PARTS	SEATS	BALLS	DIAPHRAGM
F = 2" (50.8 mm) Standard: aluminum center section	2 = Poly (npt)	3 = Stainless Steel	1 = PTFE	1 = PTFE
G = 2" (50.8 mm) Remote: aluminum center section	5 = PVDF (npt)	4 = Hardened SST	2 = Acetal	5 = TPE
V = 2" (50.8 mm) Standard: stainless steel center section		5 = TPE	4 = Hardened SST	6 = Santoprene
		6 = Santoprene	5 = TPE	7 = Buna N
		7 = Buna N	6 = Santoprene	8 = Fluoroelastomer
		8 = Fluoroelastomer	7 = Buna N	G = Geolast
		9 = Polypropylene	8 = Fluoroelastomer	
		A = PVDF	G = Geolast	
		G = Geolast		

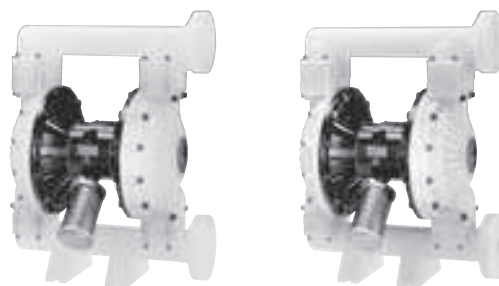
Popular Models

Material	Part Number (ANSI-Flange)		Part Number (BSP Ported)		Materials for Seats	Materials for Balls	Materials for Diaphragms	Fluid Kit	Air Kit	Air Control**	
	Standard Air Valve	Remote* Air Valve	Standard Air Valve	Remote* Air Valve							
Standard Pumps with Aluminum Center Section											
Polypropylene	DF2311				Stainless Steel	PTFE	PTFE	D0G311	236273	246947	
	DF2377	DG2377			Stainless Steel	Buna	Buna	D0G377	236273	246947	
	DF2777	DG2777			Buna	Buna	Buna	D0G777	236273	246947	
	DF2888	DG2888			Fluoroelastomer	Fluoroelastomer	Fluoroelastomer	D0G888	236273	246947	
	DF2911	DG2911			Polypropylene	PTFE	PTFE	D0G911	236273	246947	
	DF2955				Polypropylene	TPE	TPE	D0G955	236273	246947	
	DF2966				Polypropylene	Santoprene	Santoprene	D0G966	236273	246947	
	DF2977				Polypropylene	Buna	Buna	D0G977	236273	246947	
	DF2988				Polypropylene	Fluoroelastomer	Fluoroelastomer	D0G988	236273	246947	
	DF29GG	DG29GG			Polypropylene	Geolast	Geolast	D0G9GG	236273	246947	
	PVDF	DF5311				Stainless Steel	PTFE	PTFE	D0G311	236273	246947
		DF5666				Santoprene	Santoprene	Santoprene	D0G666	236273	246947
DF5811		DG5811			Fluoroelastomer	PTFE	PTFE	D0G811	236273	246947	
DF5888		DG5888			Fluoroelastomer	Fluoroelastomer	Fluoroelastomer	D0G888	236273	246947	
DF5A11		DG5A11			PVDF	PTFE	PTFE	D0GA11	236273	246947	
DF5A88					PVDF	Fluoroelastomer	Fluoroelastomer	D0GA88	236273	246947	
Corrosion Resistant Pumps with Stainless Steel Center Section											
Polypropylene	DV2311				Stainless Steel	PTFE	PTFE	D0G311	236273	246947	
	DV2341				Stainless Steel	Hardened SST	PTFE	D0G341	236273	246947	
	DV2377				Stainless Steel	Buna	Buna	D0G377	236273	246947	
	DV2888				Fluoroelastomer	Fluoroelastomer	Fluoroelastomer	D0G888	236273	246947	
	DV2911				Polypropylene	PTFE	PTFE	D0G911	236273	246947	
	DV2977				Polypropylene	Buna	Buna	D0G977	236273	246947	
	DV2988				Polypropylene	Fluoroelastomer	Fluoroelastomer	D0G988	236273	246947	
	DV2A11				PVDF	PTFE	PTFE	D0GA11	236273	246947	
	DV2A88				PVDF	Fluoroelastomer	Fluoroelastomer	D0GA88	236273	246947	
	PVDF	DV5311				Stainless Steel	PTFE	PTFE	D0G311	236273	246947
DV5811					Fluoroelastomer	PTFE	PTFE	D0G811	236273	246947	
DV5888					Fluoroelastomer	Fluoroelastomer	Fluoroelastomer	D0G888	236273	246947	
DV5A11					PVDF	PTFE	PTFE	D0GA11	236273	246947	
DV5A88					PVDF	Fluoroelastomer	Fluoroelastomer	D0GA88	236273	246947	

*Requires CycleFlo or external valve control

** Air control includes air regulator and filter with gauge

Husky 2150 Plastic Pumps



Technical Specifications

Husky 2150 Plastic Pumps	Polypropylene	PVDF
Maximum fluid working pressure	120 psi (8.4 bar, 0.84 MPa)	120 psi (8.4 bar, 0.84 MPa)
Maximum free flow delivery*	150 gpm (568 lpm)	150 gpm (568 lpm)
Maximum pump speed	145 cpm	145 cpm
Displacement per cycle**	1.03 gallon (3.90 liter)	1.03 gallon (3.90 liter)
Maximum suction lift	18 ft (5.48 m) wet or dry	18 ft (5.48 m) wet or dry
Maximum size pumpable solids	0.25 in (6.3 mm)	0.25 in (6.3 mm)
Maximum operating temperature***	150°F (65.5°C)	150°F (65.5°C)
Maximum diaphragm operating temperature***		
PTFE	220°F (104.4°C)	220°F (104.4°C)
Santoprene	180°F (82.2°C)	180°F (82.2°C)
Buna-N	180°F (82.2°C)	180°F (82.2°C)
TPE	150°F (65.5°C)	150°F (65.5°C)
Fluoroelastomer	250°F (121.1°C)	250°F (121.1°C)
Geolast	150°F (65.5°C)	150°F (65.5°C)
Typical sound level at 70 psi (4.9 bar, 0.49 MPa) air @ 125 cpm	78 dBa	78 dBa
Maximum air consumption	175 scfm (4.9 m3/min)	175 scfm (4.9 m3/min)
Air consumption at 70 psi/60 gpm	60 scfm (1.7 m3/min)	60 scfm (1.7 m3/min)
Air pressure operating range	20 to 120 psi (1.4 to 8.4 bar, 0.14 to 0.84 MPa)	20 to 120 psi (1.4 to 8.4 bar, 0.14 to 0.84 MPa)
Air inlet size	1/2 npt(f)	1/2 npt(f)
Fluid inlet & outlet size****	2 in (51 mm) ANSI-flange	2 in (51 mm) ANSI-flange
Weight	49 lb (22 kg)	68 lb (30.8 kg)
Weight with stainless steel center section	68.5 lb (31 kg)	87.5 lb (39.6 kg)
Instruction manual	308550	308550

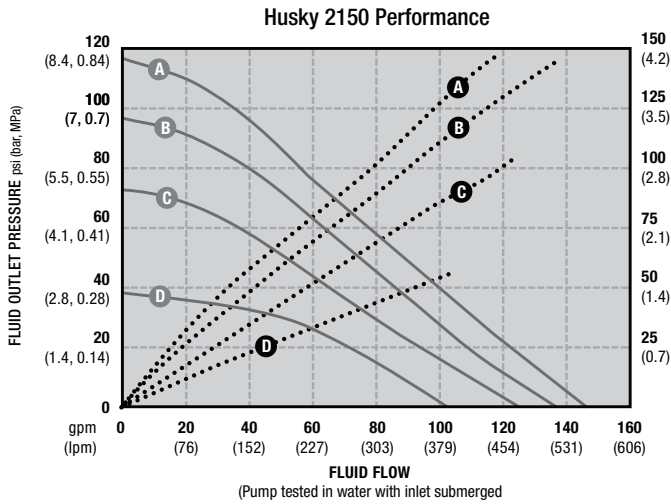
* Flow rates are with muffler and do not vary based on diaphragm material

** Displacement per cycle may vary based on suction condition, discharge head, air pressure and fluid type

*** Actual pump performance may be affected by prolonged usage at temperature

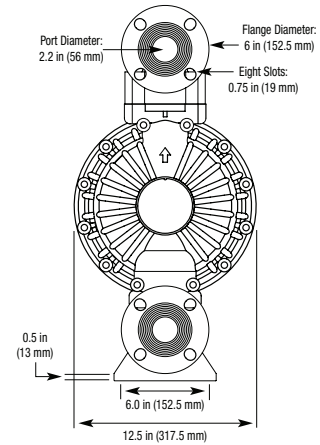
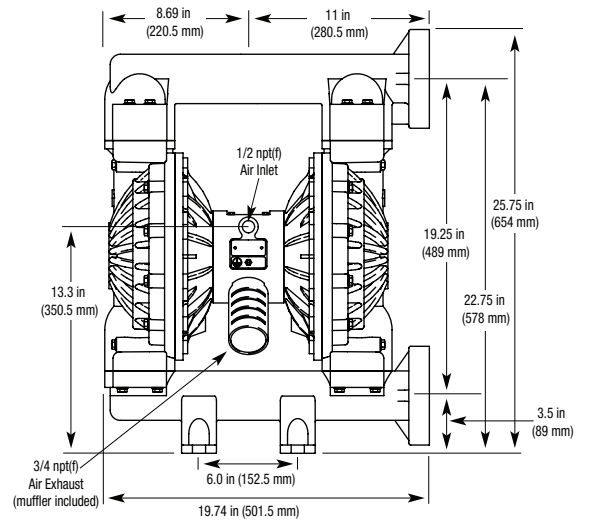
Husky 2150 Plastic Pumps

Performance Charts



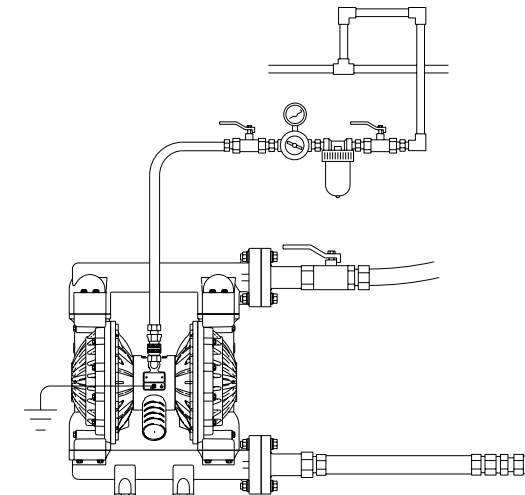
AIR PRESSURE	LEGEND
Ⓐ = at 120 psi (8.4 bar, 0.84 MPa)	Air Consumption •••••
Ⓑ = at 100 psi (7 bar, 0.7 MPa)	Fluid Flow ———
Ⓒ = at 70 psi (4.8 bar, 0.48 MPa)	
Ⓓ = at 40 psi (2.8 bar, 0.28 MPa)	

Dimensions



Typical System Drawings

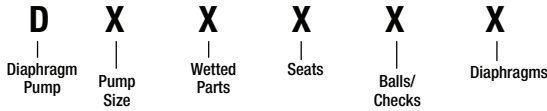
Husky 2150 Above Ground Gravity Feed



Husky 2150 Metal Pumps

Air-Operated Double Diaphragm

Ordering Information



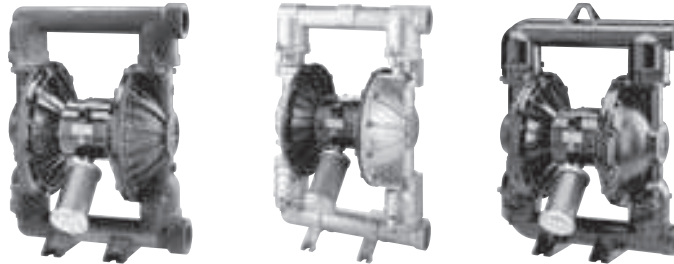
PUMP SIZE (AIR MOTOR TYPE AND MATERIAL)	WETTED PARTS	SEATS	BALLS	DIAPHRAGM
F = 2" (50.8 mm) Standard: aluminum center section	3 = Aluminum (npt)	3 = Stainless Steel	1 = PTFE	1 = PTFE
G = 2" (50.8 mm) Remote: aluminum center section	4 = Stainless Steel (npt)	4 = Hardened SST	2 = Acetal	5 = TPE
V = 2" (50.8 mm) Standard: stainless steel center section	6 = Ductile Iron (npt)	5 = TPE	4 = Hardened SST	6 = Santoprene
	C = Aluminum (bsp)	6 = Santoprene	5 = TPE	7 = Buna N
	D = Stainless Steel (bsp)	7 = Buna N	6 = Santoprene	8 = Fluoroelastomer
	F = Ductile Iron (bsp)	8 = Fluoroelastomer	7 = Buna N	G = Geolast
		9 = Polypropylene	8 = Fluoroelastomer	
	H = 2 npt Alum Extended	A = PVDF	G = Geolast	
	G = 2 bsp Alum Extended	G = Geolast		

Popular Models

Material	Part Number (NPT Ported)		Part Number (BSP Ported)		Materials for Seats	Materials for Balls	Materials for Diaphragms	Fluid Kit	Air Kit	Air Control**
	Standard Air Valve	Remote* Air Valve	Standard Air Valve	Remote* Air Valve						
Standard Pumps with Aluminum Center Section										
Aluminum***	DF3311	DG3311	DFC311	DGC311	Stainless Steel	PTFE	PTFE	D0F311	236273	246947
	DF3341	DG3341	DFC341	DGC341	Stainless Steel	Hardened SST	PTFE	D0F341	236273	246947
	DF3366	DG3366	DFC366	DGC366	Stainless Steel	Santoprene	Santoprene	D0F366	236273	246947
	DF3377	DG3377	DFC377	DGC377	Stainless Steel	Buna	Buna	D0F377	236273	246947
	DF3525	DG3525	DFC525	DGC525	TPE	Acetal	TPE	D0F525	236273	246947
	DF3555		DFC555		TPE	TPE	TPE	D0F555	236273	246947
	DF3666	DG3666	DFC666	DGC666	Santoprene	Santoprene	Santoprene	D0F666	236273	246947
	DF3777	DG3777	DFC777	DGC777	Buna	Buna	Buna	D0F777	236273	246947
	DF3888	DG3888	DFC888	DGC888	Fluoroelastomer	Fluoroelastomer	Fluoroelastomer	D0F888	236273	246947
	DF3GGG	DG3GGG	DFCGGG	DGCGGG	Geolast	Geolast	Geolast	D0FGGG	236273	246947
	DF3911	DG3911	DFC911	DGC911	Polypropylene	PTFE	PTFE	D0F911	236273	246947
	DF3977	DG3977	DFC977		Polypropylene	Buna	Buna	D0F977	236273	246947
Stainless Steel	DF4311	DG4311	DFD311	DGD311	Stainless Steel	PTFE	PTFE	D0F311	236273	246947
	DF4341		DFD341		Stainless Steel	Hardened SST	PTFE	D0F341	236273	246947
	DF4366	DG4366	DFD366	DGD366	Stainless Steel	Santoprene	Santoprene	D0F366	236273	246947
	DF4377	DG4377	DFD377	DGD377	Stainless Steel	Buna	Buna	D0F377	236273	246947
	DF4525		DFD525		TPE	Acetal	TPE	D0F525	236273	246947
	DF4666	DG4666	DFD666	DGD666	Santoprene	Santoprene	Santoprene	D0F666	236273	246947
	DF4777	DG4777	DFD777	DGD777	Buna	Buna	Buna	D0F777	236273	246947
	DF4888	DG4888	DFD888	DGD888	Fluoroelastomer	Fluoroelastomer	Fluoroelastomer	D0F888	236273	246947
	DF4GGG	DG4GGG	DFDGGG	DGDGGG	Geolast	Geolast	Geolast	D0FGGG	236273	246947
	DF4911		DFD911		Polypropylene	PTFE	PTFE	D0F911	236273	246947
Ductile	DF6311		DFF311		Stainless Steel	PTFE	PTFE	D0F311	236273	246947
	DF6366		DFF366		Stainless Steel	Santoprene	Santoprene	D0F366	236273	246947
	DF6441		DFF441		Hardened SST	Hardened SST	PTFE	D0F441	236273	246947
	DF6466	DG6466	DFF466	DGF466	Hardened SST	Santoprene	Santoprene	D0F466	236273	246947
	DF6525		DFF525		TPE	Acetal	TPE	D0F525	236273	246947
	DF6666	DG6666	DFF666	DGF666	Santoprene	Santoprene	Santoprene	D0F666	236273	246947
	DF6A11		DFFA11		PVDF	PTFE	PTFE	D0FA11	236273	246947
	DF6A88		DFFA88		PVDF	Fluoroelastomer	Fluoroelastomer	D0FA88	236273	246947
	DF6GGG	DG6GGG	DFFGGG	DGFGGG	Geolast	Geolast	Geolast	D0F6GGG	236273	246947
Corrosion Resistant Pumps with Stainless Steel Center Section										
Stainless Steel	DV4311		DVD311		Stainless Steel	PTFE	PTFE	D0F311	236273	246947
	DV4377		DVD377		Stainless Steel	Buna	Buna	D0F377	236273	246947
	DV4388		DVD388		Stainless Steel	Fluoroelastomer	Fluoroelastomer	D0F388	236273	246947
	DV4666		DVD666		Santoprene	Santoprene	Santoprene	D0F666	236273	246947
	DV4888		DVD888		Fluoroelastomer	Fluoroelastomer	Fluoroelastomer	D0F888	236273	246947
	DV4911		DVD911		Polypropylene	PTFE	PTFE	D0F911	236273	246947

*Requires CycleFlo or external valve control. ** Air control includes air regulator and filter with gauge. *** Also available in Extended Height version; use DFH or DFG designations

Husky 2150 Metal Pumps



Technical Specifications

Husky 2150 Metal Pumps	Aluminum	Stainless Steel	Ductile Iron
Maximum fluid working pressure	120 psi (8.4 bar, 0.84 MPa)	120 psi (8.4 bar, 0.84 MPa)	120 psi (8.4 bar, 0.84 MPa)
Maximum free flow delivery*	150 gpm (568 lpm)	150 gpm (568 lpm)	150 gpm (568 lpm)
Maximum pump speed	145 cpm	145 cpm	145 cpm
Displacement per cycle**	1.03 gallon (3.90 liter)	1.03 gallon (3.90 liter)	1.03 gallon (3.90 liter)
Maximum suction lift (DF3666)	20 ft (6.1 m) dry	20 ft (6.1 m) dry	20 ft (6.1 m) dry
Maximum size pumpable solids	0.25 in (6.3 mm)	0.25 in (6.3 mm)	0.25 in (6.3 mm)
Maximum diaphragm operating temperature***	220°F (104.4°C)	220°F (104.4°C)	220°F (104.4°C)
PTFE	180°F (82.2°C)	180°F (82.2°C)	180°F (82.2°C)
Santoprene	180°F (82.2°C)	180°F (82.2°C)	180°F (82.2°C)
Buna-N	150°F (65.5°C)	150°F (65.5°C)	150°F (65.5°C)
TPE	250°F (121.1°C)	250°F (121.1°C)	250°F (121.1°C)
Fluoroelastomer	150°F (65.5°C)	150°F (65.5°C)	150°F (65.5°C)
Geolast	150°F (65.5°C)	150°F (65.5°C)	150°F (65.5°C)
Typical sound level at 70 psi (4.9 bar, 0.49 MPa) air @ 125 cpm	78 dBa	78 dBa	78 dBa
Maximum air consumption	175 scfm (4.9 m3/min)	175 scfm (4.9 m3/min)	175 scfm (4.9 m3/min)
Air pressure operating range	20 to 120 psi (1.4 to 8.4 bar, 0.14 to 0.84 MPa)	20 to 120 psi (1.4 to 8.4 bar, 0.14 to 0.84 MPa)	20 to 120 psi (1.4 to 8.4 bar, 0.14 to 0.84 MPa)
Air inlet size	1/2 npt(f)	1/2 npt(f)	1/2 npt(f)
Fluid inlet & outlet size****	2 in (51 mm) ANSI-flange	2 in (51 mm) ANSI-flange	2 in (51 mm) ANSI-flange
Weight	58 lb (26.3 kg) 62 lb (28.1 kg) - Extended	111 lb (50 kg)	130 lb (59 kg)
Weight with stainless steel center section	n/a	134 lb (60 kg)	n/a
Instruction manual	308368	308368	308368

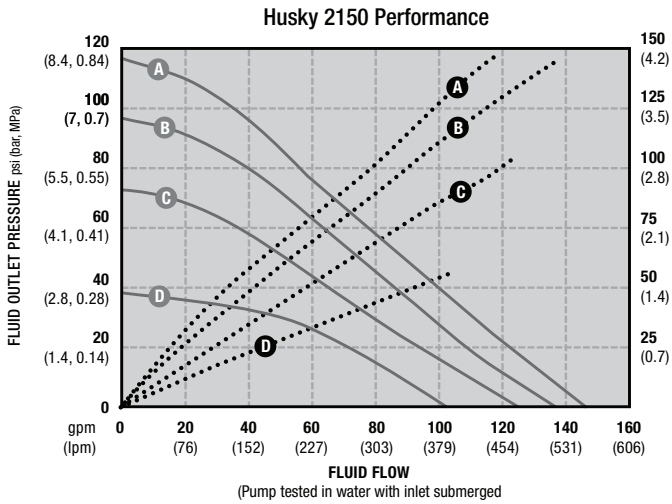
* Flow rates are with muffler and do not vary based on diaphragm material

** Displacement per cycle may vary based on suction condition, discharge head, air pressure and fluid type

*** Actual pump performance may be affected by prolonged usage at temperature

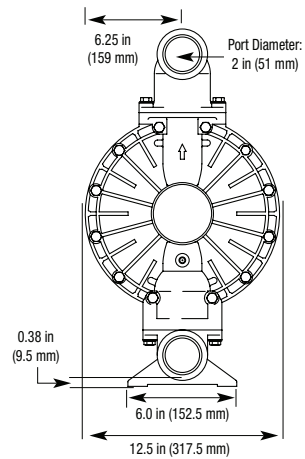
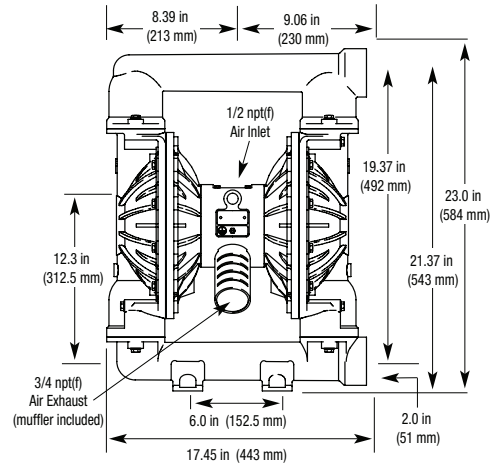
Husky 2150 Metal Pumps

Performance Charts



AIR PRESSURE	LEGEND
Ⓐ = at 120 psi (8.4 bar, 0.84 MPa)	Air Consumption •••••
Ⓑ = at 100 psi (7 bar, 0.7 MPa)	Fluid Flow ———
Ⓒ = at 70 psi (4.8 bar, 0.48 MPa)	
Ⓓ = at 40 psi (2.8 bar, 0.28 MPa)	

Dimensions



Typical System Drawings

Husky 2150 Above Ground Gravity Feed

