

# Husky 1050 Plastic Pumps

## Popular Models

Material	Part Number	Materials for Seats	Materials for Balls	Materials for Diaphragms	Air Valve Replacement Kit	Seat Kit	Ball Kit	Diaphragm Kit	Flange
	Standard Air Valve								
Polypropylene	649001	Polypropylene	Santoprene	Santoprene	24B773	24B635	24B646	24B628	Center
	649006	Polypropylene	PTFE	PTFE/EPDM 2 Piece	24B773	24B635	24B645	24B627	Center
	649034	Polypropylene	PTFE	PTFE/EPDM 2 Piece	24B773	24B635	24B645	24B627	End
Conductive Polypropylene	649218	Acetal	PTFE	PTFE/EPDM 2 Piece	24B775	24B630	24B645	24B627	End
	649211	316 SST	PTFE	PTFE/EPDM 2 Piece	24B775	24B637	24B645	24B627	End
PVDF	649392	316 SST	PTFE	PTFE/EPDM 2 Piece	24B773	24B637	24B645	24B627	End
	649398	PVDF	PTFE	PTFE/EPDM 2 Piece	24B773	24C721	24B645	24B627	End



## Technical Specifications

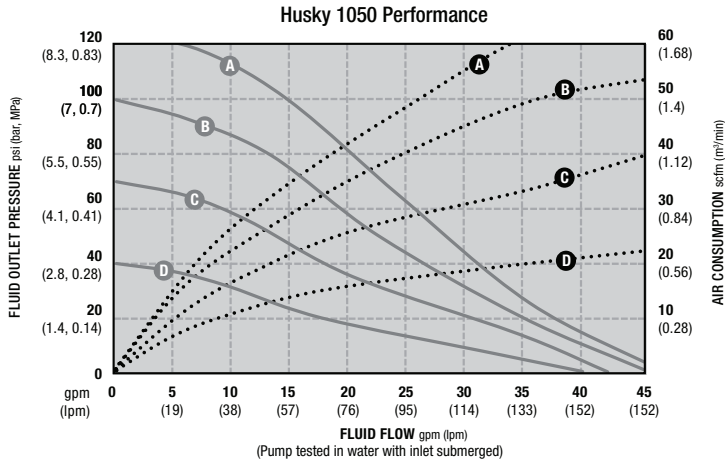
Husky 1050 Plastic Pumps	Conductive Polypropylene	Polypropylene	PVDF
Maximum fluid working pressure	125 psi (8.6 bar, 0.86 MPa)	125 psi (8.6 bar, 0.86 MPa)	125 psi (8.6 bar, 0.86 MPa)
Maximum free flow delivery	50 gpm (189 lpm)	50 gpm (189 lpm)	50 gpm (189 lpm)
Maximum pump speed	280 cpm	280 cpm	280 cpm
Displacement per cycle	0.17 gal (0.64 liters)	0.17 gal (0.64 liters)	0.17 gal (0.64 liters)
Maximum suction lift	16 ft (4.9 m) dry, 29 ft (8.8 m) wet	16 ft (4.9 m) dry, 29 ft (8.8 m) wet	16 ft (4.9 m) dry, 29 ft (8.8 m) wet
Maximum size pumpable solids	1/8 in (3.2 mm)	1/8 in (3.2 mm)	1/8 in (3.2 mm)
Sound Power* at 70 psi (4.8 bar, 0.48 MPa) and 50 cpm at 100 psi (7.0 bar, 0.7 MPa) and full flow	78 dBa 90 dBa	78 dBa 90 dBa	78 dBa 90 dBa
Sound Pressure** at 70 psi (4.8 bar, 0.48 MPa) and 50 cpm at 100 psi (7.0 bar, 0.7 MPa) and full flow	84 dBa 96 dBa	84 dBa 96 dBa	84 dBa 96 dBa
Maximum air consumption	67 scfm	67 scfm	67 scfm
Air consumption at 70 psi (4.8 bar, 0.48 MPa), 20 gpm (76 lpm)	25 scfm	25 scfm	25 scfm
Air pressure operating range	20-125 psi (1.4-8.6 bar, 0.14-0.86 MPa)	20-125 psi (1.4-8.6 bar, 0.14-0.86 MPa)	20-125 psi (1.4-8.6 bar, 0.14-0.86 MPa)
Air inlet size	1/2 npt(f)	1/2 npt(f)	1/2 npt(f)
Fluid inlet size	1 in raised face ANSI/DIN flange	1 in raised face ANSI/DIN flange	1 in raised face ANSI/DIN flange
Fluid outlet size	1 in raised face ANSI/DIN flange	1 in raised face ANSI/DIN flange	1 in raised face ANSI/DIN flange
Weight	18 lb (8.2 kg)	18 lb (8.2 kg)	21 lb (9.5 kg)
Wetted parts	polypropylene and material(s) chosen for seat, ball, and diaphragm options	polypropylene and material(s) chosen for seat, ball, and diaphragm options	polypropylene and material(s) chosen for seat, ball, and diaphragm options
Non-wetted Parts Center Bolts	polypropylene stainless steel	polypropylene stainless steel	polypropylene stainless steel
Instruction manual	312877	312877	312877
Repair/parts manual	313435	313435	313435

\* Sound power measured per ISO-9614-2.

\*\* Sound pressure was tested 3.28 ft (1 m) from equipment.

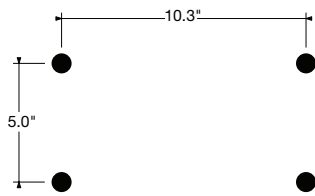
# Husky 1050 Plastic Pumps

## Performance Charts

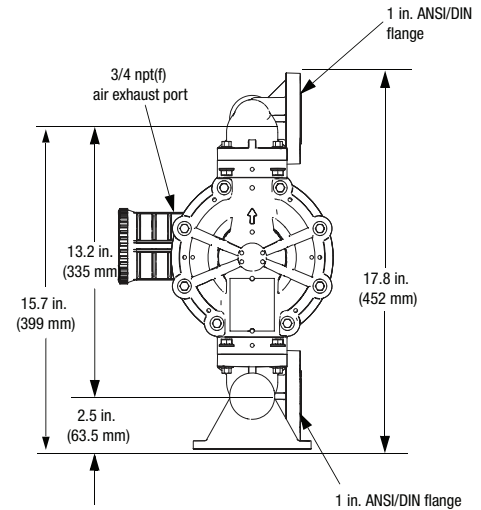
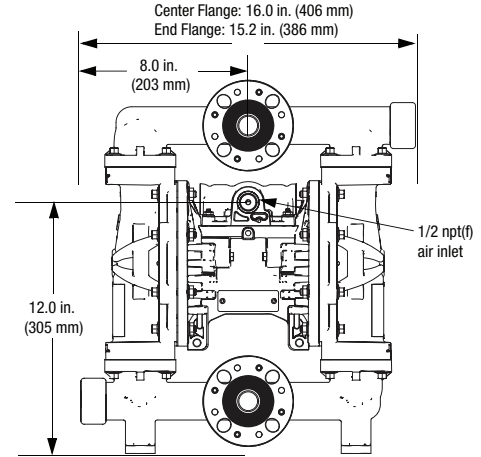


AIR PRESSURE	LEGEND
Ⓐ = at 125 psi (8.3 bar, 0.83 MPa)	Air Consumption •••••
Ⓑ = at 100 psi (7 bar, 0.7 MPa)	Fluid Flow ———
Ⓒ = at 70 psi (4.8 bar, 0.48 MPa)	
Ⓓ = at 40 psi (2.8 bar, 0.28 MPa)	

### Mounting Pattern

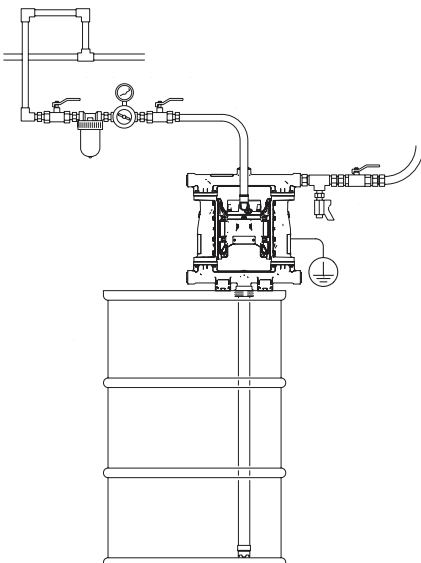


## Dimensions

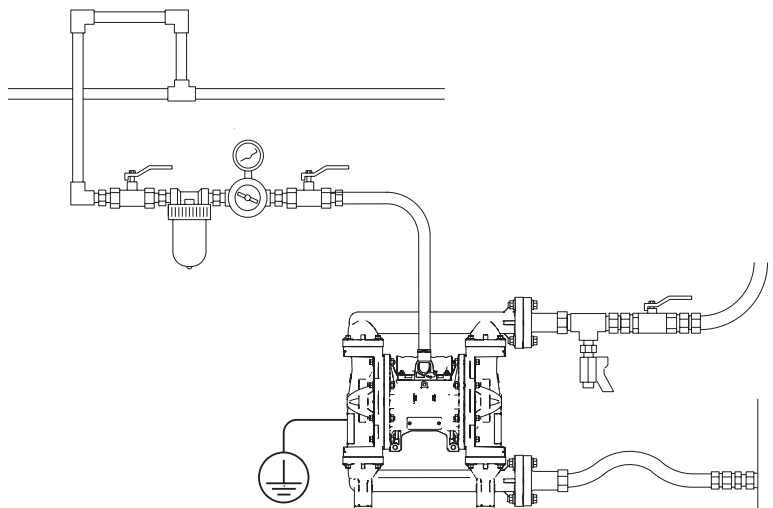


## Typical System Drawings

### Husky 1050 Bung-Mount



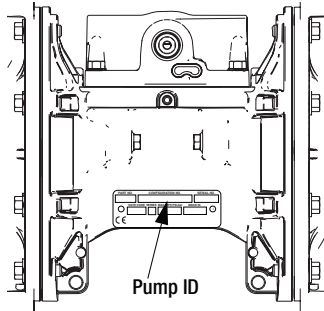
### Husky 1050 Floor-Mount



# Husky 1050 Metal Pumps Air-Operated Double Diaphragm

## NEW! Husky 1050 Selector Tool

To order a Husky 1050, use the online selector tool at [www.graco.com/process](http://www.graco.com/process) or contact your distributor.



**NOTE:** Options for seats, check balls, diaphragms, and seals vary for the 1050A, 1050C, 1050P, and 1050S pump models.



Example of Product Selector Tool on [www.graco.com/process](http://www.graco.com/process).

## Pump Configurations

Pump (1 inch ports, 50 gpm)	Center Section and Air Valve Material	Air Valve/Monitoring	Fluid Covers and Manifolds
<b>1050A</b> ★ Aluminum	Aluminum	<b>A01</b> Standard	<b>A1</b> Aluminum, standard ports, inch
		<b>A01B</b> Pulse Count ✖	<b>A2</b> Aluminum, standard ports, metric
<b>1050S</b> ‡ Stainless Steel		<b>A01C</b> DataTrak ✖	<b>S1</b> Stainless steel, standard ports, inch
		<b>A01D</b> Remote	<b>S2</b> Stainless steel, standard ports, metric

★, ‡, or ✖: See **ATEX Certifications** below.

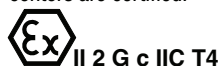
Check Valve Seats		Check Valve Balls		Diaphragm		Manifold O-Rings	
<b>AC</b>	Acetal	<b>AC</b>	Acetal	<b>BN</b>	Buna-N	—	None
<b>AL</b>	Aluminum	<b>BN</b>	Buna-N	<b>CO</b>	Polychloroprene Overmolded	<b>PT</b>	PTFE
<b>BN</b>	Buna-N	<b>CR</b>	Polychloroprene Standard	<b>FK</b>	FKM Fluoroelastomer		
<b>FK</b>	FKM Fluoroelastomer	<b>CW</b>	Polychloroprene Weighted	<b>GE</b>	Geolast		
<b>GE</b>	Geolast®	<b>FK</b>	FKM Fluoroelastomer	<b>PO</b>	PTFE/EPDM Overmolded		
<b>PP</b>	Polypropylene	<b>GE</b>	Geolast	<b>PT</b>	PTFE/EPDM Two-Piece		
<b>SP</b>	Santoprene®	<b>PT</b>	PTFE	<b>SP</b>	Santoprene		
<b>SS</b>	316 Stainless Steel	<b>SP</b>	Santoprene	<b>TP</b>	TPE		
<b>TP</b>	TPE	<b>SS</b>	316 Stainless Steel				
		<b>TP</b>	TPE				

### ATEX Certifications

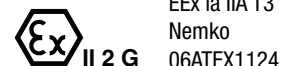
★ All **1050A** (Aluminum) pumps are certified:



‡ **1050S** (Stainless Steel) pumps with aluminum or conductive polypropylene centers are certified:



✖ DataTrak and Pulse Count are certified:



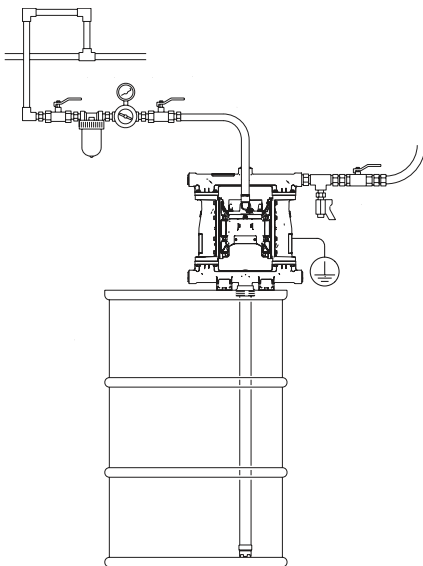
# Husky 1050 Metal Pumps

## Popular Models

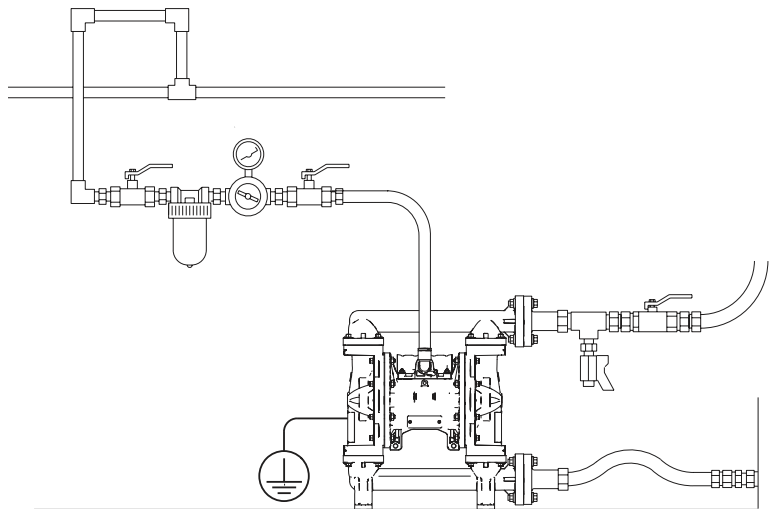
Material	Part Number		Materials for Seats	Materials for Balls	Materials for Diaphragms	Air Valve Replacement Kit	Seat Kit	Ball Kit	Diaphragm Kit
	Standard Air Valve	Remote Air Valve							
Aluminum	647666	647502	Thermoplastic Polyester Elastomer	Acetal	Thermoplastic Polyester Elastomer	24B766	24B634	24B639	24B624
	647016 (UL Certified)		Thermoplastic Polyester Elastomer	Acetal	Thermoplastic Polyester Elastomer	24B766	24B634	24B639	24B624
	647075	647561	Acetal	PTFE	PTFE/EPDM 2 Piece	24B766	24B630	24B645	24B627
	647040	647526	Geolast	Geolast	Geolast	24B766	24B633	24B641	24B623
	647035	647521	Santoprene	Santoprene	Santoprene	24B766	24B636	24B646	24B628
	647028	647514	316 SST	PTFE	PTFE/EPDM 2 Piece	24B766	24B637	24B645	24B627
	647004	647490	Polypropylene	PTFE	PTFE/EPDM 2 Piece	24B766	24B635	24B645	24B627
Stainless Steel	647018	647504	316 SST	316 SST	PTFE/EPDM 2 Piece	24B766	24B637	24B647	24B627
	651009	651125	316 SST	PTFE	PTFE/EPDM 2 Piece	24B766	24B637	24B645	24B627

## Typical System Drawings

Husky 1050 Bung-Mount



Husky 1050 Floor-Mount



# Husky 1050 Metal Pumps

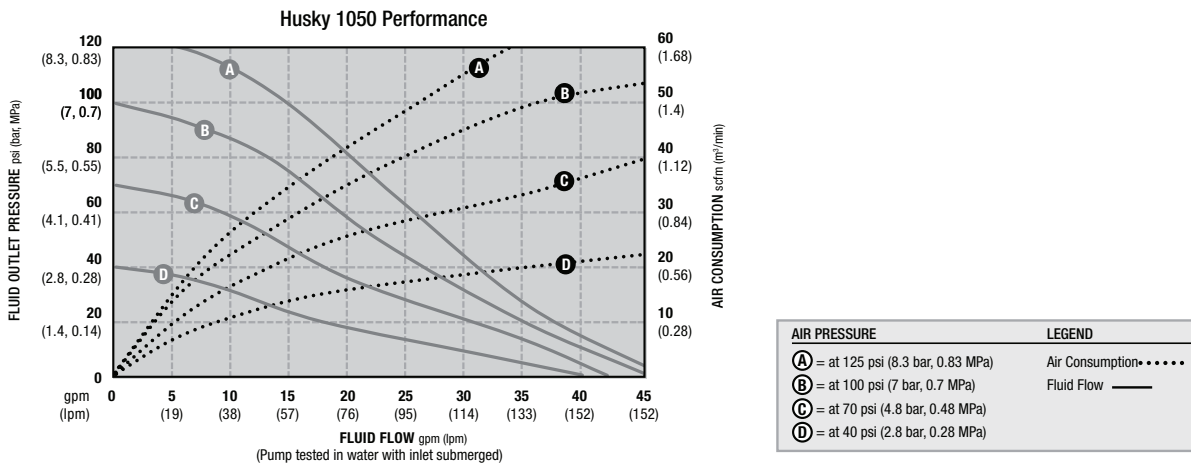


## Technical Specifications

Husky 1050 Metal Pumps	Aluminum	Stainless Steel	Hastelloy
Maximum fluid working pressure	125 psi (8.6 bar, 0.86 MPa)	125 psi (8.6 bar, 0.86 MPa)	125 psi (8.6 bar, 0.86 MPa)
Maximum free flow delivery	50 gpm (189 lpm)	50 gpm (189 lpm)	50 gpm (189 lpm)
Maximum pump speed	280 cpm	280 cpm	280 cpm
Displacement per cycle	0.17 gal (0.64 liters)	0.17 gal (0.64 liters)	0.17 gal (0.64 liters)
Maximum suction lift	16 ft (4.9 m) dry, 29 ft (8.8 m) wet	16 ft (4.9 m) dry, 29 ft (8.8 m) wet	16 ft (4.9 m) dry, 29 ft (8.8 m) wet
Maximum size pumpable solids	1/8 in (3.2 mm)	1/8 in (3.2 mm)	1/8 in (3.2 mm)
Sound Power* at 70 psi (4.8 bar, 0.48 MPa) and 50 cpm at 100 psi (7.0 bar, 0.7 MPa) and full flow	78 dBa 90 dBa	78 dBa 90 dBa	78 dBa 90 dBa
Sound Pressure** at 70 psi (4.8 bar, 0.48 MPa) and 50 cpm at 100 psi (7.0 bar, 0.7 MPa) and full flow	84 dBa 96 dBa	84 dBa 96 dBa	84 dBa 96 dBa
Maximum air consumption	67 scfm	67 scfm	67 scfm
Air consumption at 70 psi (4.8 bar, 0.48 MPa), 20 gpm (76 lpm)	25 scfm	25 scfm	25 scfm
Air pressure operating range	20-125 psi (1.4-8.6 bar, 0.14-0.86 MPa)	20-125 psi (1.4-8.6 bar, 0.14-0.86 MPa)	20-125 psi (1.4-8.6 bar, 0.14-0.86 MPa)
Air inlet size	1/2 npt(f)	1/2 npt(f)	1/2 npt(f)
Fluid inlet size	1 in npt(f) or 1 in bspt	1 in npt(f) or 1 in bspt	1 in npt(f) or 1 in bspt
Fluid outlet size	1 in npt(f) or 1 in bspt	1 in npt(f) or 1 in bspt	1 in npt(f) or 1 in bspt
Weight	23 lb (10.5 kg)	with conductive polypropylene center 36.3 lb (16.5 kg) with polypropylene center 37.3 lb (16.9 kg) with aluminum center 41.4 lb (18.8 kg)	41 lb (18.6 kg)
Wetted parts	aluminum and material(s) chosen for seat, ball, and diaphragm options	stainless steel and material(s) chosen for seat, ball, and diaphragm options	hastelloy, stainless steel and material(s) chosen for seat, ball, and diaphragm options
Non-wetted Parts Center Bolts	aluminum coated carbon steel	polypropylene stainless steel	aluminum stainless steel polypropylene stainless steel
Instruction manual	312877	312877	312877
Repair/parts manual	313435	313435	313435

\* Sound power measured per ISO-9614-2. \*\* Sound pressure was tested 3.28 ft (1 m) from equipment.

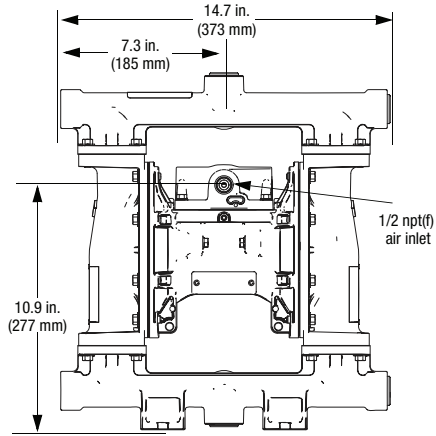
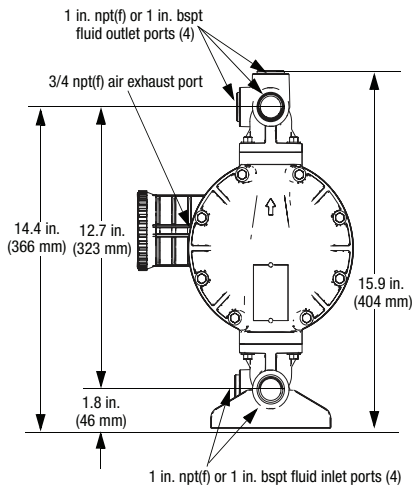
## Performance Charts



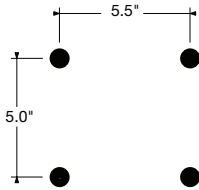
# Husky 1050 Metal Pumps

## Dimensions

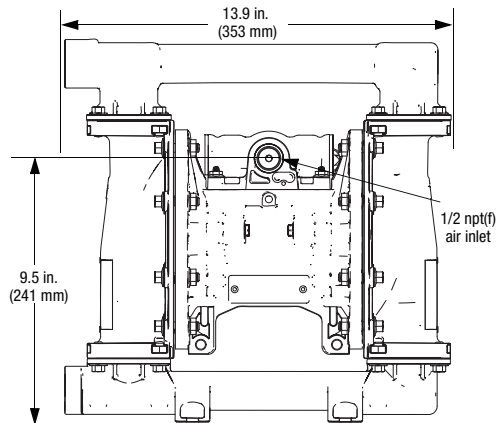
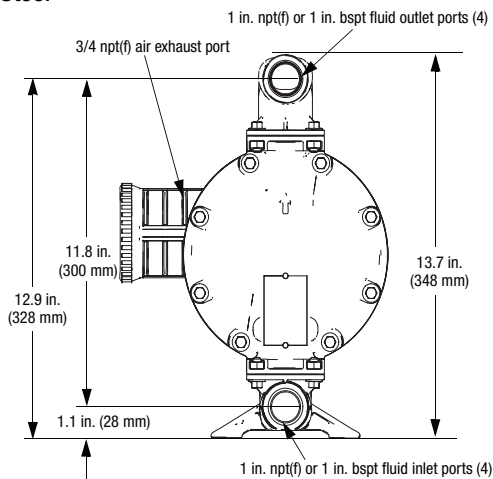
### Aluminum



### Mounting Pattern



### Stainless Steel



### Mounting Pattern

